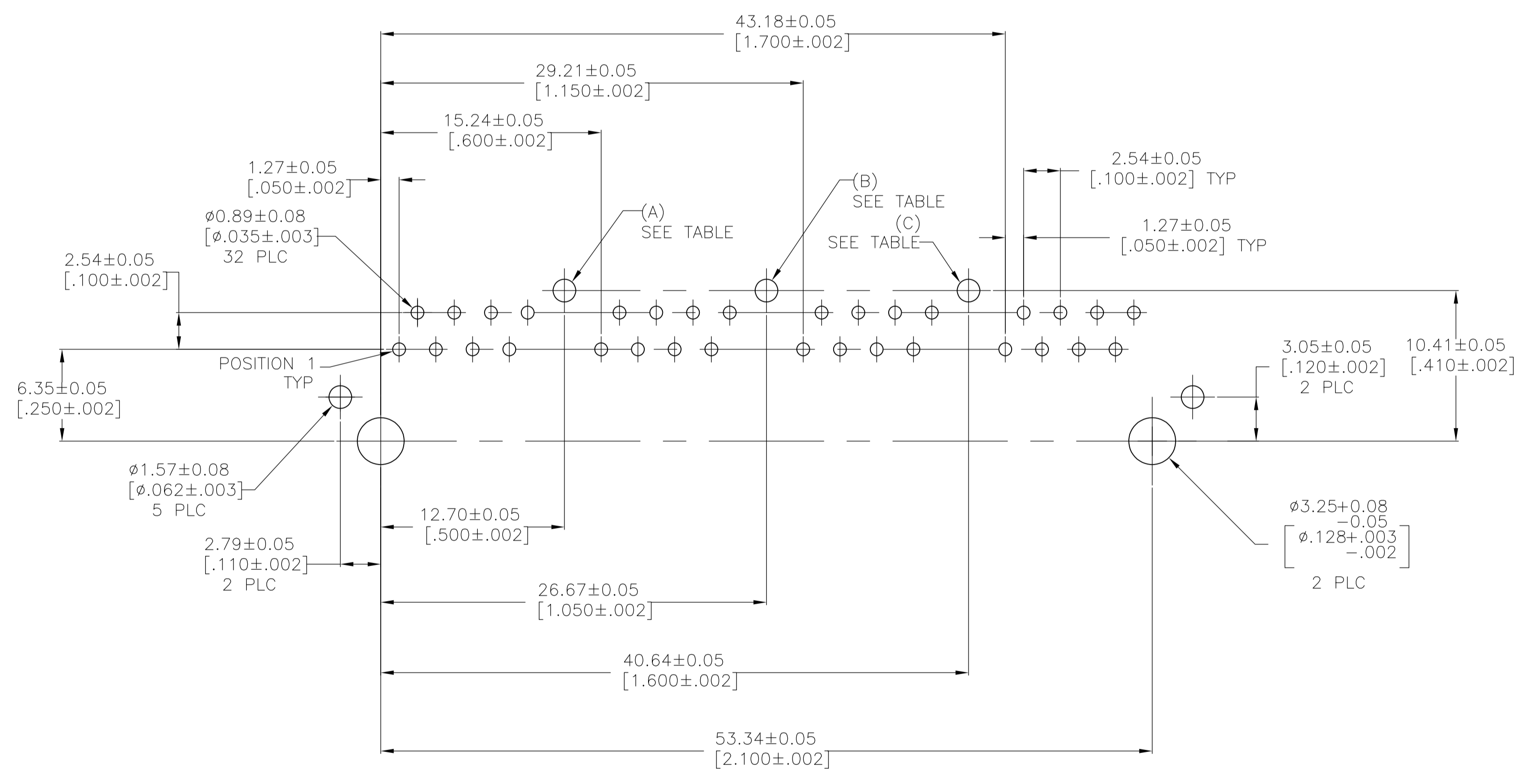
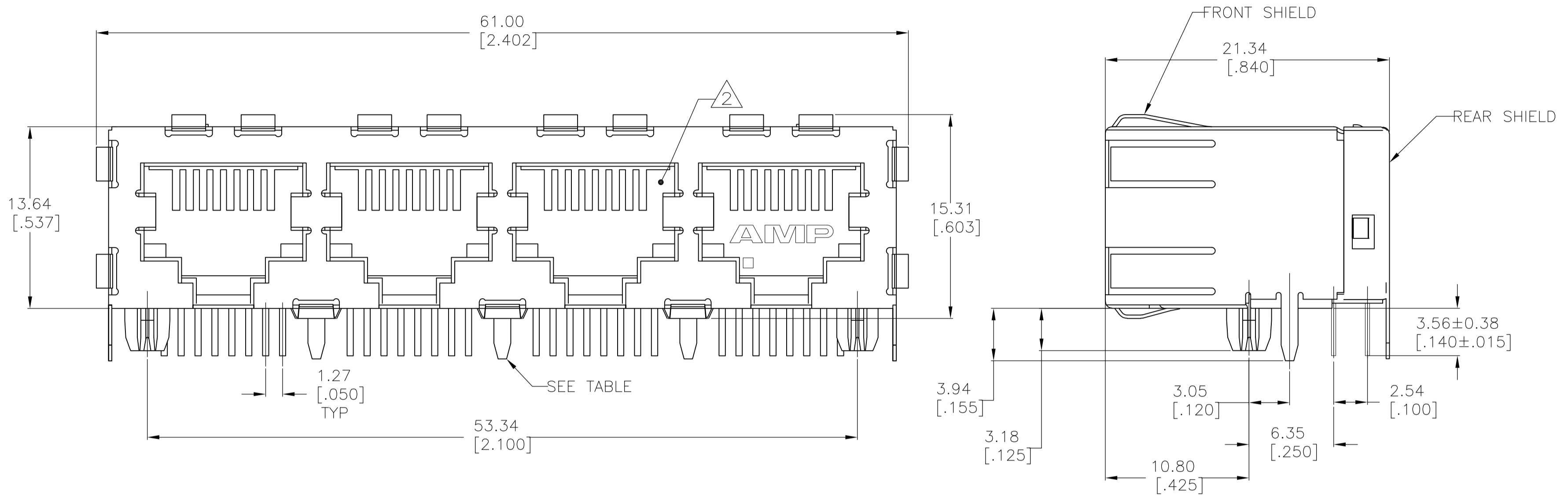


LOC		DIST		REVISIONS			
AA	00	REV	DESCRIPTION	DATE	BY	CHK	APPV
C1	ECR-10-000024			04JAN2010	TY	SY	
C2	REVISED PER ECO-10-000444			19JAN10	KK	HMR	



RECOMMENDED PC BOARD LAYOUT
 COMPONENT SIDE

- MATERIAL: HOUSING - NYLON, COLOR: BLACK, UL 94V-0.
 OVERMOLDED TERMINAL ARRAY - PBT, BROWN.
 TERMINALS - 0.33[.013] THICK PHOS BRONZE
 PLATED WITH 1.27μm[.000050] MINIMUM HARD
 GOLD IN LOCALIZED AREA AND 3.81μm[.000150]
 MINIMUM TIN IN SOLDER AREA OVER 1.27μm
 [.000050] MINIMUM NICKEL UNDERPLATE.
 SHIELD - 0.254[.010] THICK COPPER ALLOY PLATED
 WITH 1.27μm[.000050] MINIMUM NICKEL AND
 2.03μm[.000080] MINIMUM HOT TIN DIP ON PCB GROUND TABS.

- ⚠ JACK CAVITY CONFORMS TO FCC RULES AND REGULATIONS, PART 68 SUBPART F.
- ⚠ OBSOLETE PARTS: OBSOLETE CIS STREAMLINING PER D.RENAUD/D.SINISI

OBSOLETE	(A)	(B)	(C)	ALL THREE	5406281-3
	(B)	(1)	MIDDLE		-5406281-2-
	NONE		NONE		-5406281-1-
	HOLES USED		NO. OF REAR TABS		PART NO.

THIS DRAWING IS A CONTROLLED DOCUMENT.

DIMENSIONS: mm [INCHES]	TOLERANCES UNLESS OTHERWISE SPECIFIED:	DIN J.ALCORTA/L.A.MAYER 170CT2007	APVD S.FLICKINGER 170CT2007	NAME S.FLICKINGER	Tyco Electronics Corporation Harrisburg, PA 17105-3608
0 PLC ± -	1 PLC ± -	2 PLC ± -	3 PLC ± -	4 PLC ± -	ANGLES ± -
SEE NOTE 1	SEE NOTE 1	WEIGHT	SIZE A1	CAGE CODE 00779	DRAWING NO. 5406281
CUSTOMER DRAWING		SCALE 4:1	SHEET 1 of 1	REV C2	

MODULAR JACK ASSEMBLY, 4 PORT, 8 POSITION, SHIELDED, REVERSE PANEL GROUND TABS, CATEGORY 5